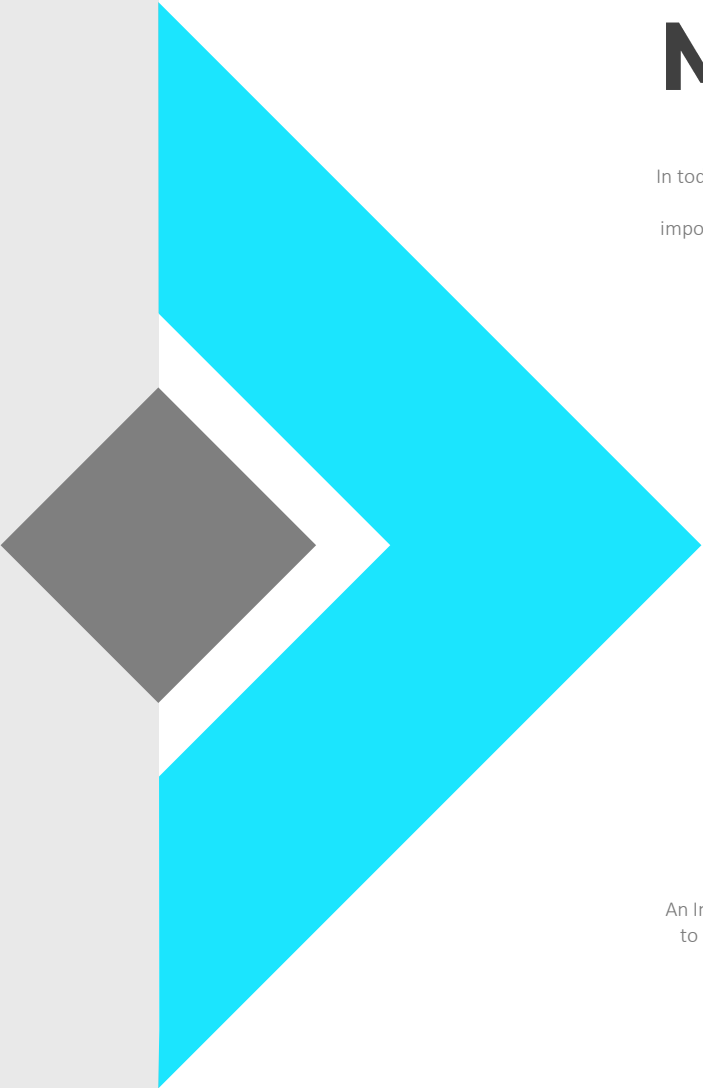




USER'S MANUAL

In today's continuously evolving workplace, the need for communication and collaboration is more important than ever. Digital technology is constantly reshaping the way people work.



An Interactive Display is a tool that enables the user to run their meetings or teach their students in an innovative and creative way.



Interactive Flat Panel

M3-311D2 Series
For all sizes

CONTENT

Security Warning	1
Accessories	2
Installation	3
Product Appearance	6
Connections	8
Android System	11
Desktop	11
APP and Tools	14
1. Settings	14
2. Whiteboard	17
3. Screen Share	18
4. Finder	19
5. Split screen	21
6. Touch Overlay	21
7. Screen Lock	22
8. Install Google Play	
FAQ	23
Easy Trouble Shooting	24
Maintenance	25
Special Affirmation	26

SECURITY WARNING

Placement

Do not place heavy objects on the IFP.
Do not insert anything into the IFP.
Do not place the IFP next to equipment with strong radiation.
Do not place the IFP in a wet or liquid spattering place.
Do not place the IFP where it is unstable, easy to tilt or fall.
Do not place the IFP in the vicinity of direct sunlight or other strong light sources.
Do not place the IFP near heating objects such as electric heaters or radiators or other heat sources.

Power Supply

Thunder and lightning weather, please unplug the power cord.
Do not cause physical or mechanical damage to the power cord.
Please check and ensure that the AC power cord ground is connected.
Please use the dedicated power cord and do not modify or extend the power cord.
Please unplug the power plug when there is no one in the room or it is not used for a long time.
Please check and ensure that the voltage value of the nameplate on the rear case matches the main supply voltage value.

Standby

Short press the power button can keep the IFP in standby state and will not completely shut down the IFP.

Environment

Please keep the room dry and cool, and the normal working environment of the IFP is 0 ~ 40 °C @10%~ 90% RH. Please place the IFP in a ventilated place to ensure good heats dissipation.
Ensure ventilation in the left, right and back 10cm and at the top 20cm or more.
When the IFP is moved from the low temperature area to the high temperature area, in order to fully distribute the condensation in the IFP, please leave it for a period of time before turning on the power.

Cleaning

When cleaning is needed, please unplug the power plug first.
Please wipe the screen with a flexible dust-free dry cloth.
Do not clean the screen with water or spray cleaner.
The rear shell of this product has heat dissipation holes. Please do not spray or pour liquid directly onto the rear shell or use wet cloth to clean it.









Battery

The dead batteries in the remote shall be disposed of and recycled correctly.
Do not let children contact the battery and do not put the battery into the fire to avoid danger.

Maintenance Precautions

Please find professional service personnel to carry out all maintenance.
When the IFP is malfunctioned, such as the power cord or plug is damaged, liquid spills or objects fall into the IFP, the IFP is caught in the rain or moisture, or if it cannot operate normally or falls to the ground, please contact the supplier, and do not dismantle the IFP for overhauling without permission.

ACCESSORIES

Picture	Name of the accessory	Quantity
	Remote control	1pcs
	Power cord	1pcs
	HDMI cable	1pcs
	Touch cable	1pcs
	WiFi module	1pcs
	Markers(no ink)	2pcs
	Wall mount bracket	1set
	Screws	1set

INSTALLATION



Warning

1. Please read this instruction before installation and follow below steps strictly.
2. It should be installed by at least two professional people.
3. When setting the IFP down to install the wall mount, place it face down on a flat and stable surface covered by a protective sheet or cloth and a table cushion. DO NOT place the display on an uncovered surface.
4. Installation surface must be strong materials.

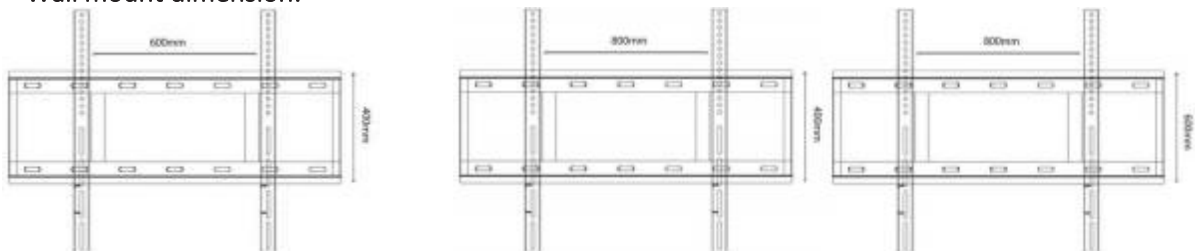


Notice

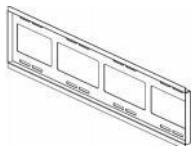





1. Interactive flat panel can be installed on the wall or mobile stand.
2. Mobile stand can be purchased from interactive flat panel manufacturer. If purchased by yourself, make sure it could bear at least 4 times weight of the panel and make it stable.
3. Please make sure the building bearing capacity at least 4 times of panel weight for wall mount installation.
4. If install on wall or a roof of building, it must be solid brick, concrete or other surface equivalent strength. If the surface is loose material (such as old-style house brick, wood, solid brick, etc.), or metal, non-metallic structure, or surface decoration layer is thick, its strength is obviously insufficient, it should take appropriate reinforcement and support measures to prevent potential safety hazards.

Installation instructions (Wall mount)

1) Wall mount dimension:



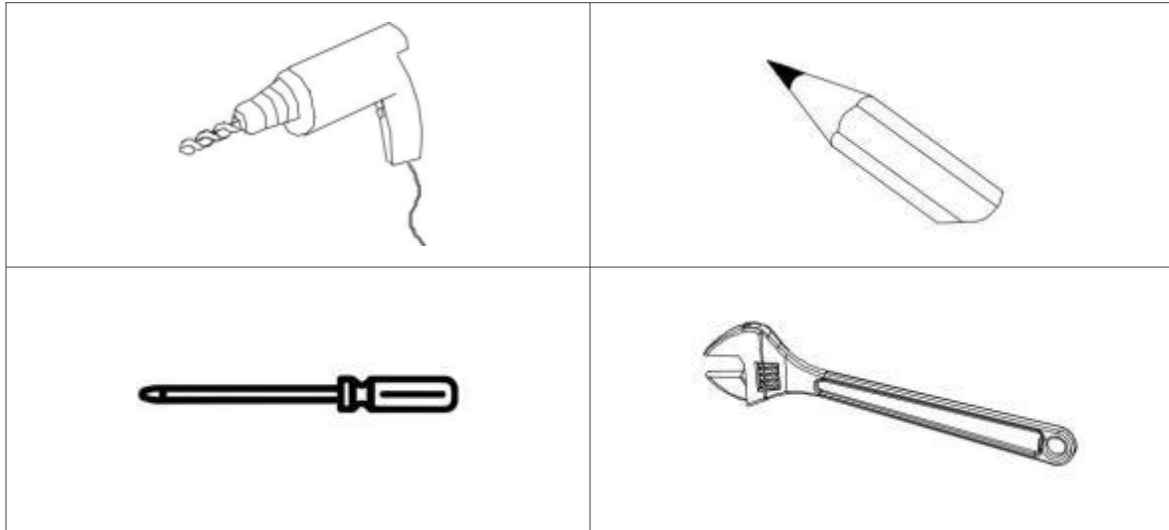
2) Mounting Accessories:

A		1pcs
B		2pcs
C		8pcs
D		8pcs
E		4pcs
F		4pcs

INSTALLATION

1) Wall mount dimension:

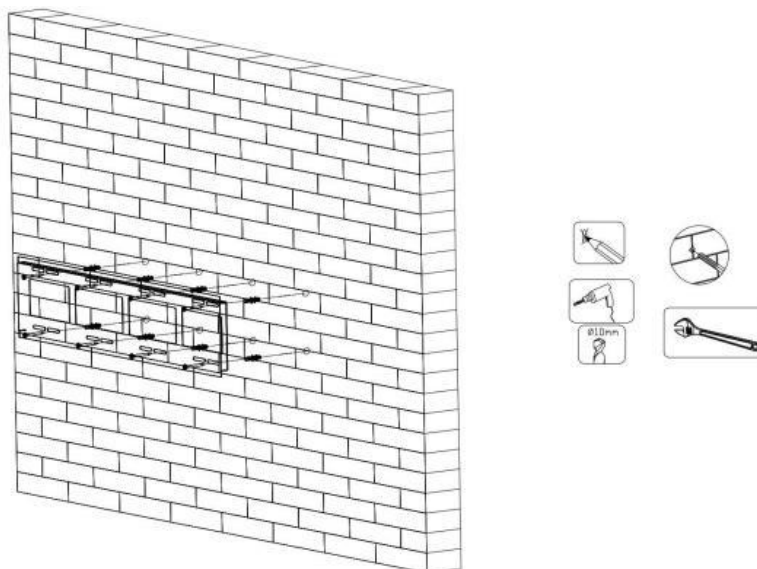
Before installation, please prepare the following recommended tools by yourself.



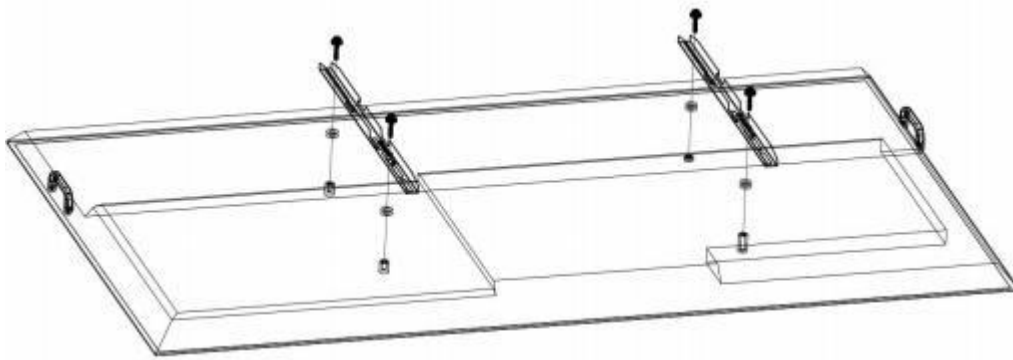
4>Installation steps :

① Use C and D to fix A onto the wall. 8pcs in total for 65, 75 and 86 inches IFP (4pcs for each row). 12pcs for 98inch, 6pcs for each row: A should be horizontally placed at a suitable position on the wall, then mark the screw

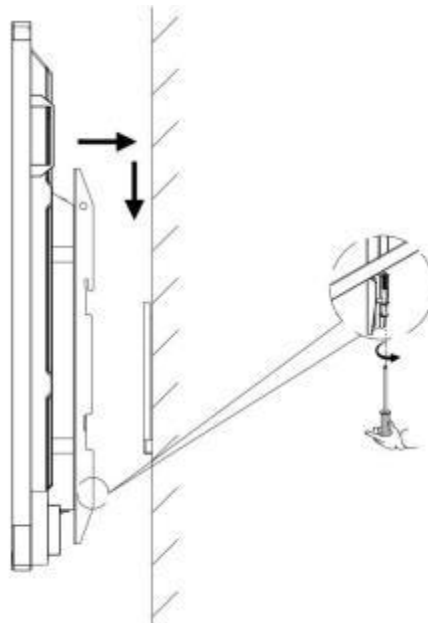
holes with a marker pen. Later use drill to drill the marked holes on the wall. Recommend to open the wall hole at ϕ 10mm, and the drilling depth is recommended to be above 65mm. Refer to the pictures as below:



② Put E onto the location of the bracket screw holes on the back cover of the IFP, then put B onto E, and use F and B to lock the brackets onto the IFP tightly. Refer to the pictures as below:

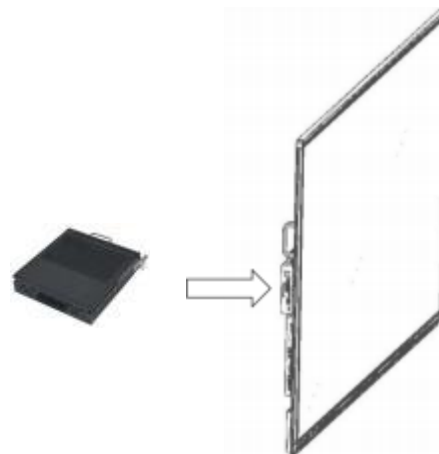


③ Follow the direction of the arrows in the below picture and hang the IFP onto the brackets A. Lock the screws on A tightly and check if the IFP is working well (audio, display, electricity, touch function) .



5) Install OPS Module

- Remove the OPS bezel from the IFP.
- Insert the OPS module into the OPS slot.



Notice

The thickness of OPS accepted by IFP is 30mm, and it must be with 80pin OPS interface. If the OPS is purchased by users, please make sure the size and interface is matching.



Warning

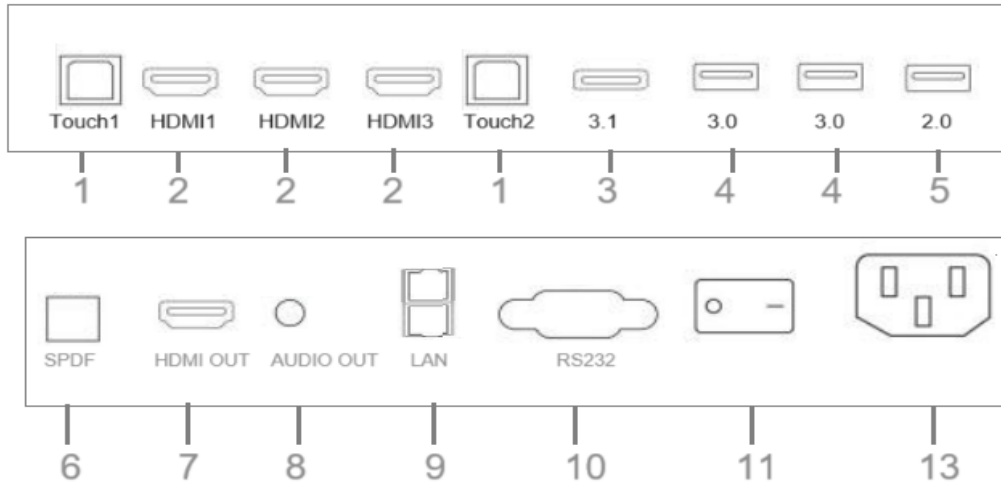
When install or remove (pull out) the OPS from the IFP, must make sure the IFP is powered off. Otherwise it may damage the OPS interface and the “touch” operation on the IFP will not work in OPS mode!

PRODUCT APPEARANCE



No	Function Description
1	Magnetic pen holder
2	Speaker
3	<p>Power button</p> <p>1)While standby, short press the power button to switch from standby to power on.</p> <p>2)While power on , short press the power button to enter energy saving mode.</p> <p>3)While power on, press and hold the power button for more than 2 seconds to switch from power on to standby mode.</p>
4	Remote control receiver / Light sensor
5	USB3.0 * 2
6	Camera
7	Microphone

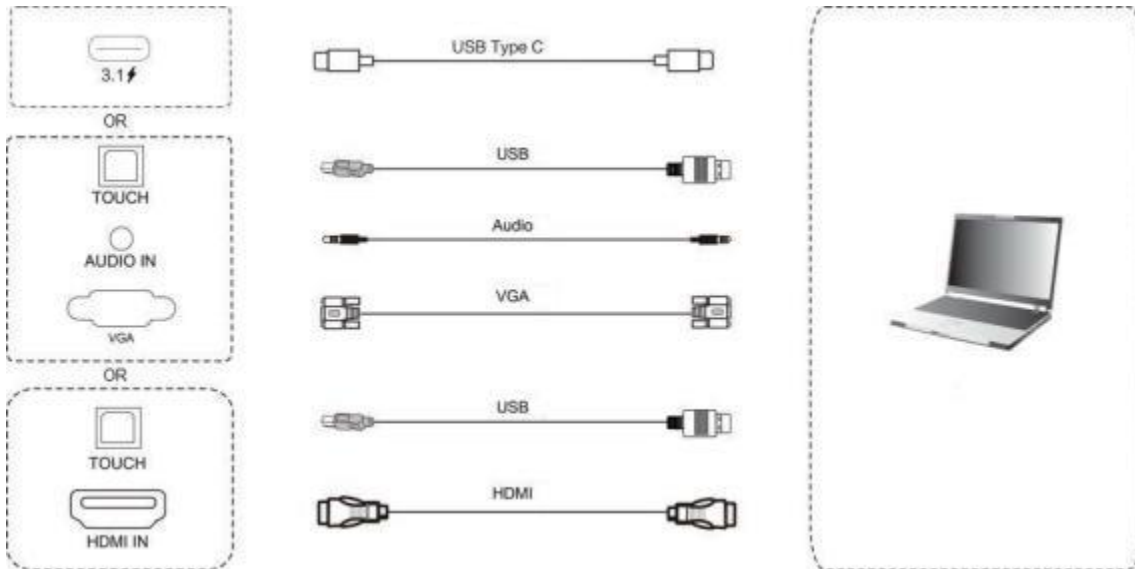
PRODUCT APPEARANCE



No.	Interface	Function Description
1	TOUCH	Touch signal output interface, connect external PC.
2	HDMI	High-definition multimedia interface signal input, connected to a computer, set-top box or other video equipment with HDMI output
3	USB3.1	Connect to mobile hard disk, U disk, USB keyboard/mouse, mobile phone etc.
4	USB3.0	Connect to mobile hard disk, U disk, USB keyboard/mouse, etc.
5	USB2.0	Connect to mobile hard disk, U disk, USB keyboard/mouse, etc.
6	SPDIF	Audio optical fiber interface, this must be used with the corresponding peripherals, is to output the sound signal to the power amplifier through the optical fiber line..
7	HDMI OUT	High-definition multimedia signal output interface, connected to a display device with HDMI input.
8	AUDIO OUT	Connect to a device with an audio input function.
9	LAN	Network interface, connect the RJ45 terminal.
10	RS232	Connect to a computer or central control device for control commands.
11	Power switch	Switch the power supply, turn on and off the AC power supply of the whole machine, "I" means power on, "O" indicates power-off.
12	Power outlet	AC power input, connected to AC power supply.

The number and type of ports of the equipment shall be subject to the physical object. The description in this manual is for example only.

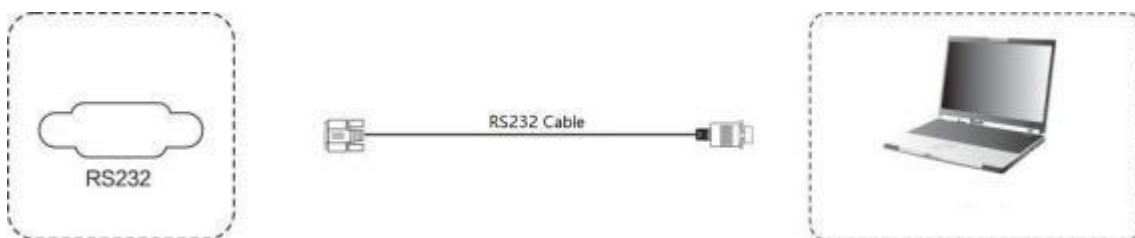
① External computer and touch connection



Connection instructions:

1. Use USB Type-C cable to connect to the Type-C interface of an external computer (or use VGA cable to connect to its VGA output interface, meanwhile connect to the computer’s audio output interface with an audio cable, connect to USB interface with a USB cable. Or use a HDMI cable to connect to the computer’s HDMI output, USB cable to its USB interface. After connection, plug in the power cable, and switch the Power Switch to “ I ”.
2. Power on the external computer.
3. Slightly press the power button, turn on the device.
4. Switch the input source to USB Type-C/VGA/HDMI in the system.

② RS232 connection



③ HDMI signal input



Connection instructions:

1. Connect audio and video device with HDMI output via HDMI cable.
2. After connecting the wires, plug in the power cord and switch the Power Switch to “ I ”.
3. Press the power button slightly to turn on the device.
4. Switch to HDMI channel at the input source in the system.

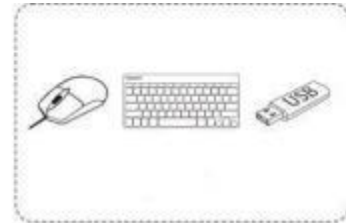
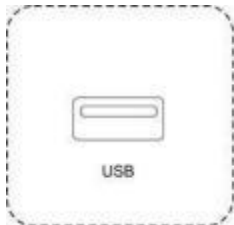
④ HDMI signal output



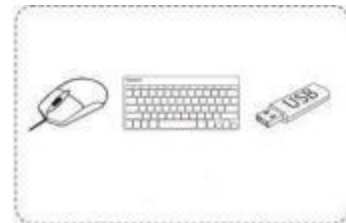
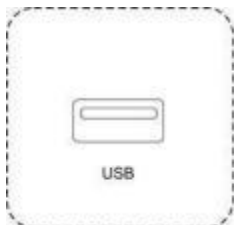
Connection instructions:

1. Connect to HDMI Input devices with HDMI cable.
2. After connection, plug in the power cable, switch the Power Switch to "I".
3. Slightly press the power button to turn on the device.

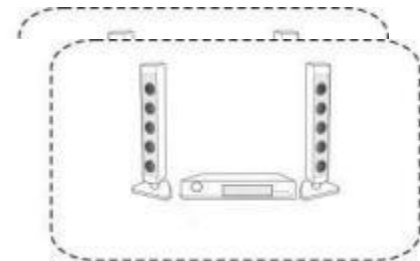
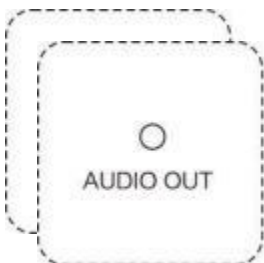
⑤ USB connection



⑤ USB connection



⑤ USB connection



ANDROID SYSTEM

- Desktop

Desktop includes: Dock, Time, Screen projection code, Status, Side bar.



More functions can be found as below:

① Dock(Whiteboard, Finder, Screen Share, Browser) ② Time ③ Screen projection code ④ Status ⑤ Side bar (Right&Left) ⑥ Floating tool (The floating tool should be activated in“Setting”, and could be launched by long press with two fingers on desktop).



① Dock

- Whiteboard, allows users to make notes and record their ideas freely.
- Finder, is a file manager helps users to browse files stored in Android system or external storage devices connected to the IFP.
- Screen Share, allows users to connect their smartphone, pad or laptop to the IFP wirelessly.
- Browser, allows users to browse the web over the internet.

② Time

- Time and date will display when you set the correct time zone and connect internet connection.

③ Screen projection code

- The screen projection code is used for screen share by laptop, the users should input the code to make connection between laptop and IFP. (The code can be set to not show in the “Setting” menu.)

④ Status

- Hotspot allows the IFP to share its networks, can be set on/off in the “Setting” menu.
- LAN shows the LAN connection status.
- USB shows the external USB storage devices connection status.
- Wi-Fi shows the Wi-Fi connection status.

⑤ Side bar

Click the side bar to expand it, when there is no operation, it will be hidden automatically after 3s.



The Side bar includes below menus:

- Back, return to the upper menu or last action.
- Home, return to homepage.
- Tasks, show the background running apps, and close the running app.
- Whiteboard
- File manager(Finder)
- More App, find more App installed in the IFP.
- The “Settings” in “More App” allows users to have their own setting on the IFP.



- Annotation, make annotation on any App and share by QR-Code.
- Quick Setting/Advanced Setting

The Quick Setting includes “Input source list”, “Volume”, “Brightness” and “Eye Care”. The input source list allows users to check and select the connected channel.

The Advanced Setting includes “Audio”, “Screen”, “Display” and “Adjust” settings. It allows users to have personalized settings on sound effect, screen (Auto light/Energy save), backlight mode, etc.

- More tools

Click More tools menu to expand it, it includes Timer, Stopwatch, record, Freeze, Crop, Split screen, Camera, PollKit, Fast file transfer, Calendar, Touch overlay, Screen lock.



⑥ Floating tool

- Allows users to quickly access to some functions like Home, Back, Tasks, Annotation, Settings, Whiteboard.
- The floating tool should be activated in “setting” menu, and could be launched by long press with two fingers on desktop.



◎ APP and Tools

① Settings

Settings divided to five parts: Network & Bluetooth, Personal, Device management, System settings, Device information. The Settings App could be found in Side bar_More App.

• Network & Bluetooth.

Network & Bluetooth	
Ethernet	IP and DNS setting.
WiFi	WiFi connection setting.
Hotspot	Share the network or generate connecting with other devices.
Bluetooth	Bluetooth connect and setting.



• Network & Bluetooth.

Personal	
Wallpaper,	Allows users to change the system wall paper.
Floating tool	Enable or disable the Floating tool function.
Screen on/off	Long press with five fingers to turn off the scree.



• Device management

Device management	
Sound	Touch sounds on/off. Sound output setting, set the sound out put by Speaker, Line out or Mixed type.
Equipment management	USB Lock, USB access will be denied when this function is “on”. Microphone, show connected microphone list and select which one to use.
Input settings	Customize the input source name.
External source display settings	Set HDMI OUT resolution and frequency.



• System settings

System settings	
General	Date & Time, set date, time, time formats and time zone. Language & keyboard, select language and keyboard. Region, set country.
Startup & Shutdown management	Start up channel, Timing power on/sleep, Standby management.
Improvement	System update, update the Android system when new version is available. Reset, reset the IFP.



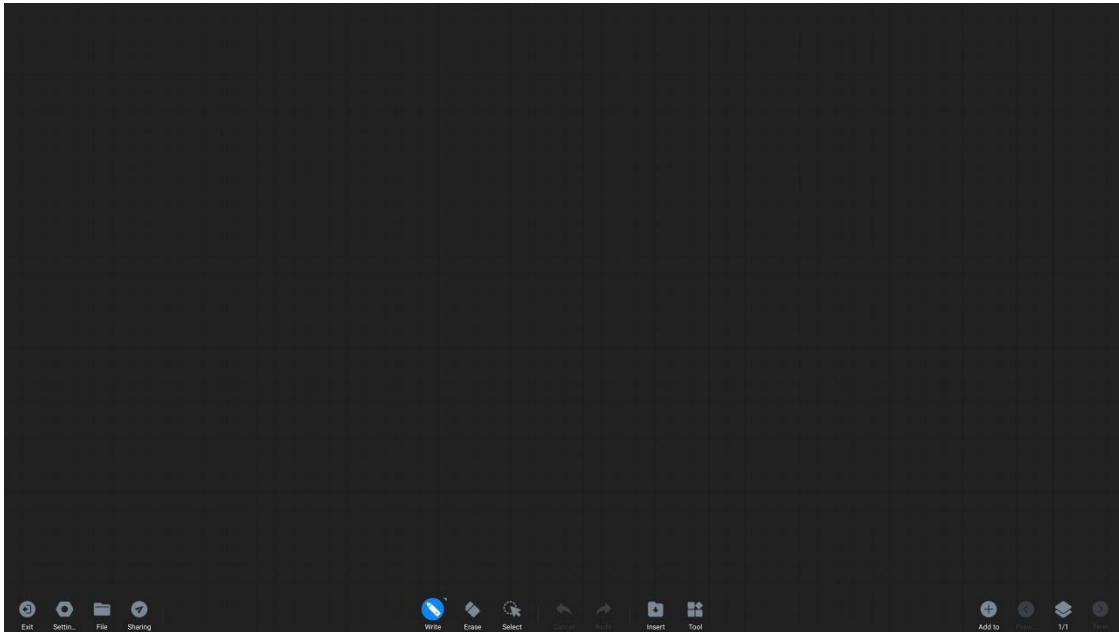
- Device information

System settings	
Device name	Change the device name.
Storage	Check the storage space.
Android version	Show the IFP Android version.
Kernal version	Show the Kernal version.
Build Number	Show the Build Number.
Legal Information	Show the Legal information.



② Whiteboard

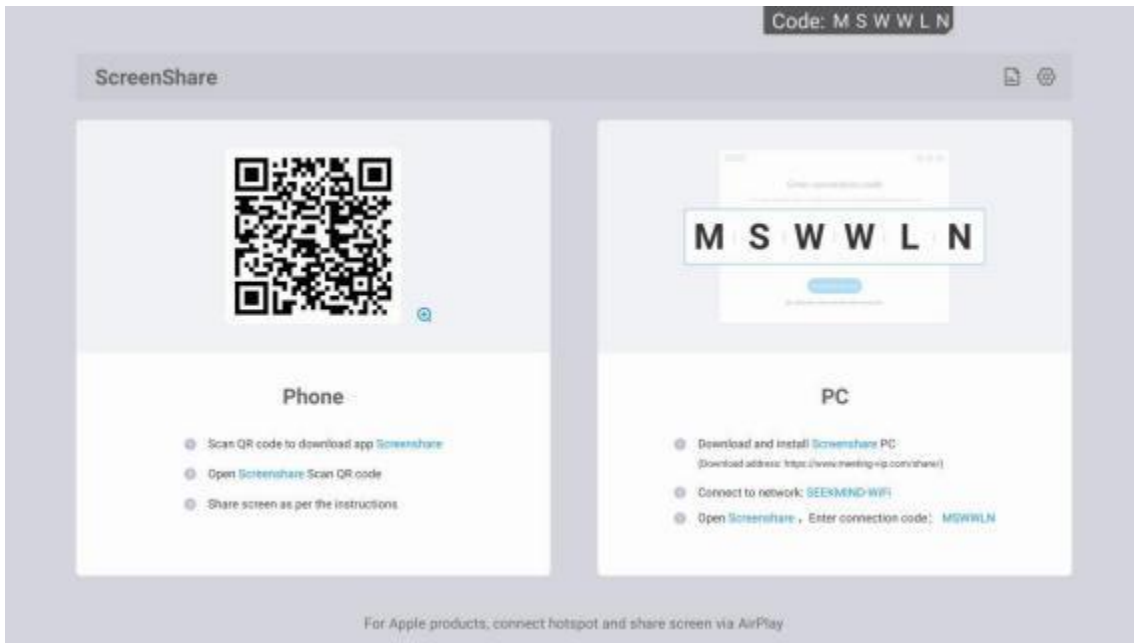
Whiteboard allow users to make notes and record/share their ideas freely.



No.	Name	Description	
1	Exit	Exit from the Whiteboard APP.	
2	Settings	Writing	Multi writing, when turn on it, the page zoom is locked and multiple people can write.
			Dual color stylus writing, when turn on it, you can change the writing color of the two pen tips.
			Chart drawing, when turn on it, users can draw tables and graphics directly.
		Text recognition, when turn on it, handwriting made can be converted into standard text.	
	Background	Change the background color and grid type.	
	Scan code	QR code generated via cloud server,the sharing function is available when IFP connected to internet.	
		LAN Mode, the sharing function is available when mobile device and IFP are in the same LAN.	
3	File	Open	Open IWB files.
		Save	Save IWB files.
4	Sharing	Generate the QR-Code for sharing the notes made on whiteboard. When turn on "Encrypt", it will generate an encryption code to review the sharing notes.	
5	Write	Pen type and color.	
6	Erase	Eraser type.	
7	Select	Select the objects in the whiteboard.	
8	Undo/Redo	Undo/Redo.	
9	Insert	Insert table, graphic, image and document.	
10	Tool	Note	Insert note into Whiteboard page.
		Voter	Conduct a poll.
		File transfer	Transfer picture/video from smartphone to Whiteboard.
11	Add to	Add more pages	
12	Pages	Preview and deletion pages	

③ Screen Share

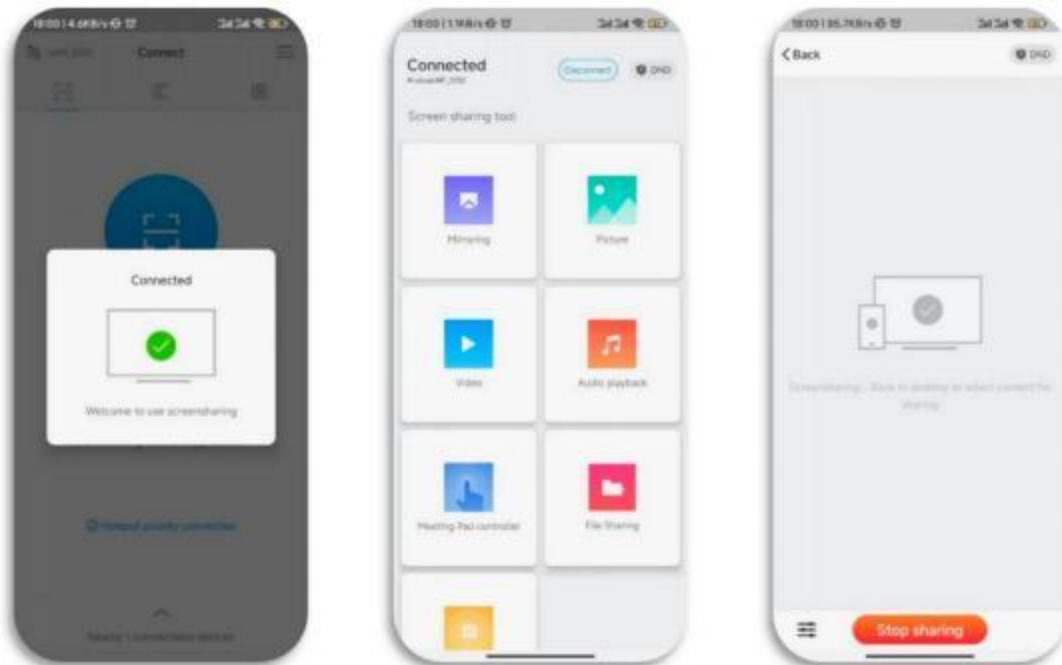
Screen Share allows users to connect their smartphone, pad or laptop to the IFP wirelessly.



•Android phone

Click “Screen Share” APP on IFP, then scan the QR-Code to download the **ExceedShare** APP and install it to your Android phone.

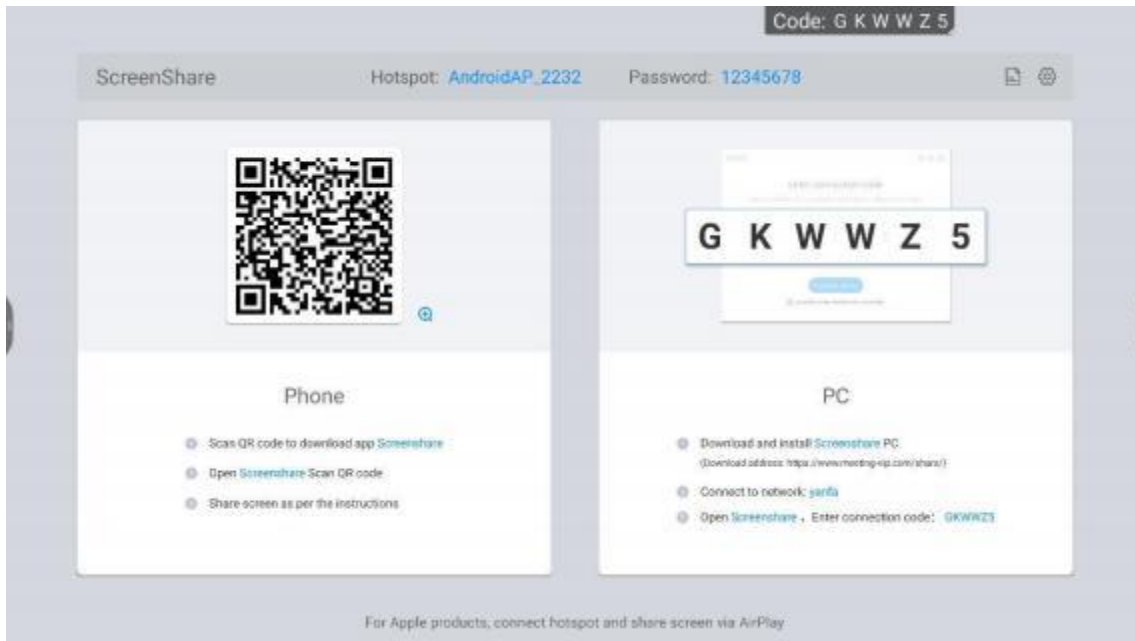
Run ExceedShare and scan the QR-Code shown in the IFP.
Follow the instructions for next action.



•iPhone

.Turn on the “Hotspot” in “Setting” menu, the Hotspot name and Password will be shown at the top of Screen Share App. .Have the iPhone’s WiFi connected to the Hotspot.

.Click “Screen mirroring” in iPhone, it will show the IFP there, and then click the IFP to make the connection.

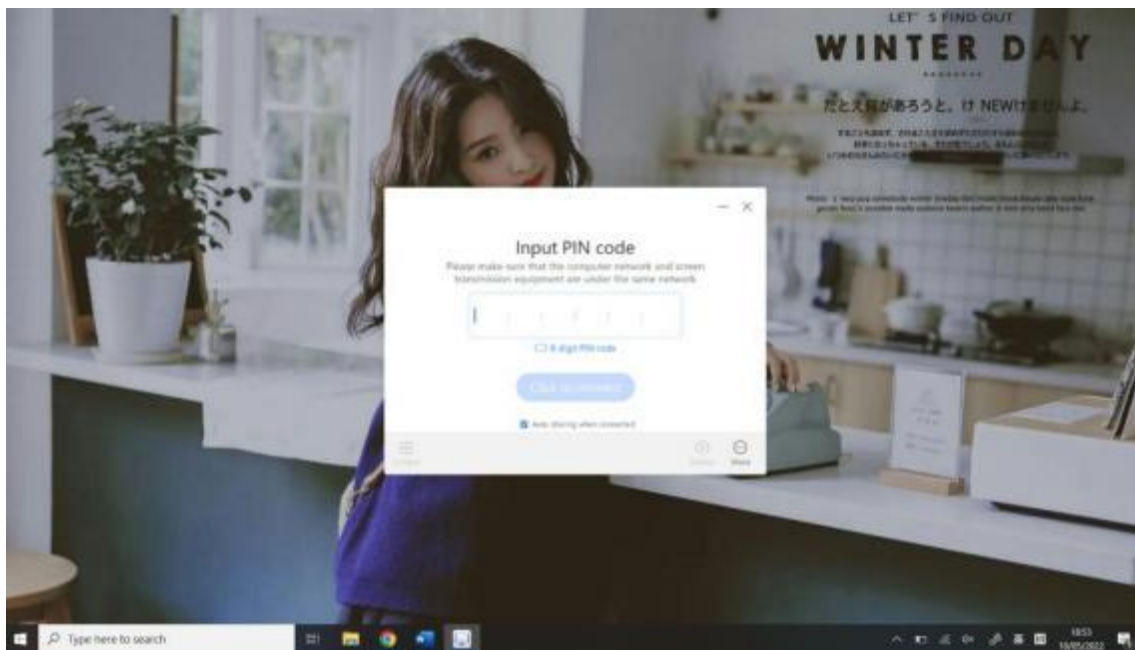


•PC

.Download and install Exceed to your PC [Download address: www.meeting-vip.com/share/]

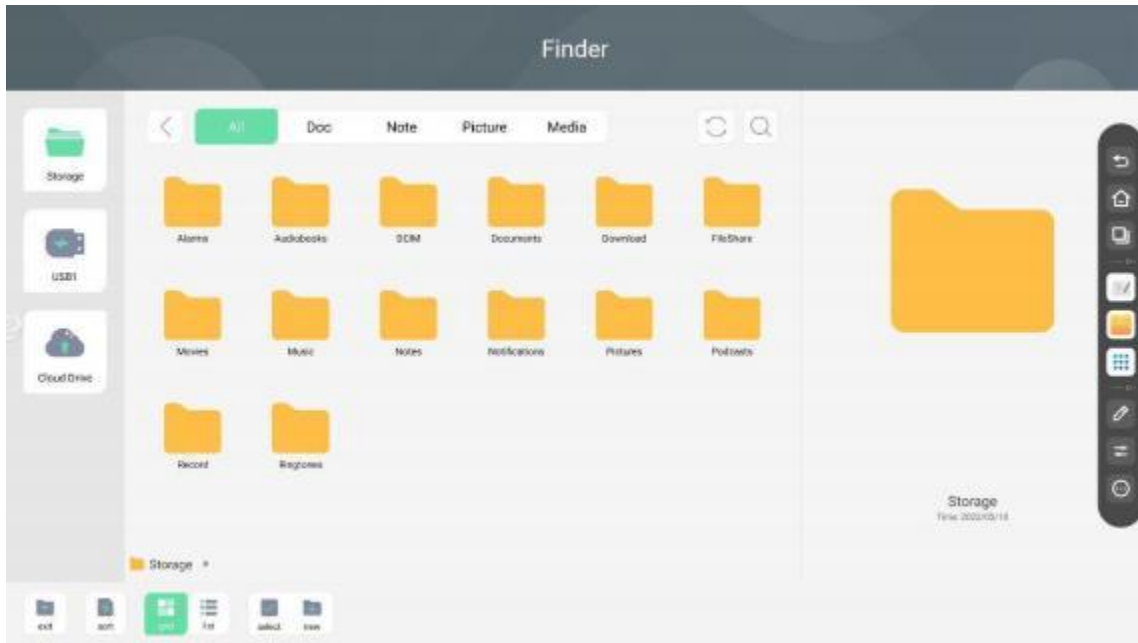
.Make sure the PC and IFP are connected to a same WiFi.

.Run “Exceed” and input the PIN code shown on the IFP, then click to connect.



④ Finder

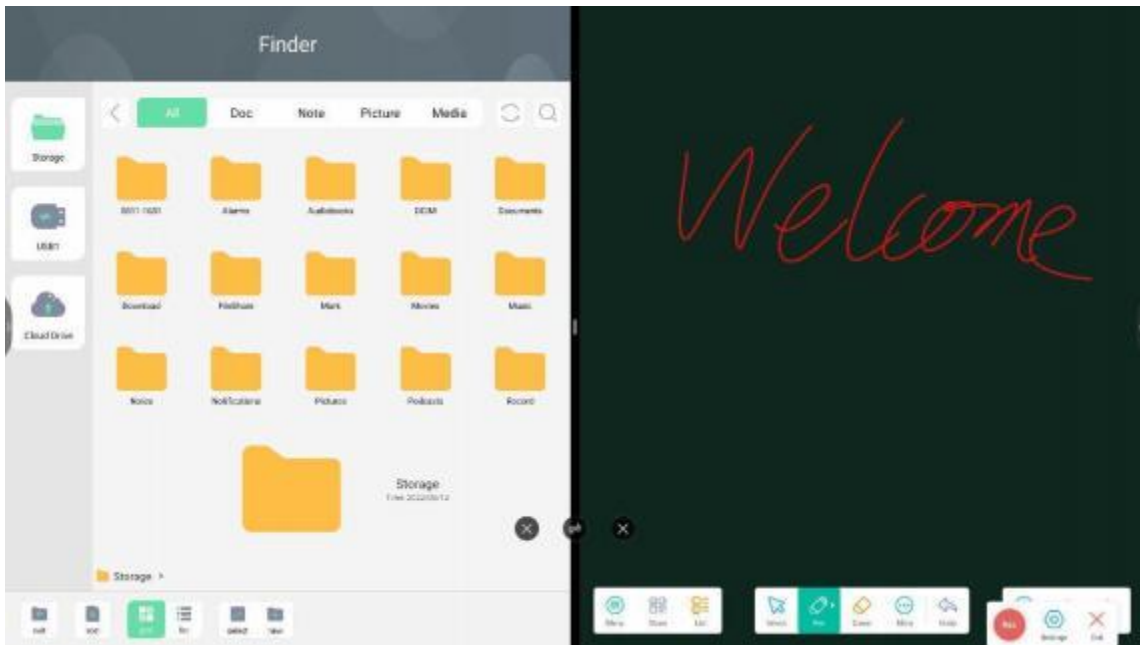
Finder Help users browse and manage files stored in Android system or external storage devices connected to the IFP. At the same time, Finder supports opening cloud drive.



⑤ Split screen

Click “Split screen” in “More tools”, it will show the App list that support split screen. Click on the corresponding app for split- screen display, and experience parallel task operation.





⑥ Touch Overlay

Touch overlay is a touch lock, when enable touch lock, the touch operations on IFP will be disabled.

Click “Touch overlay” in “More tools” will enable touch lock.

Click the Touch overlay icon on the desktop, touch lock will be disabled.



⑥ Screen Lock

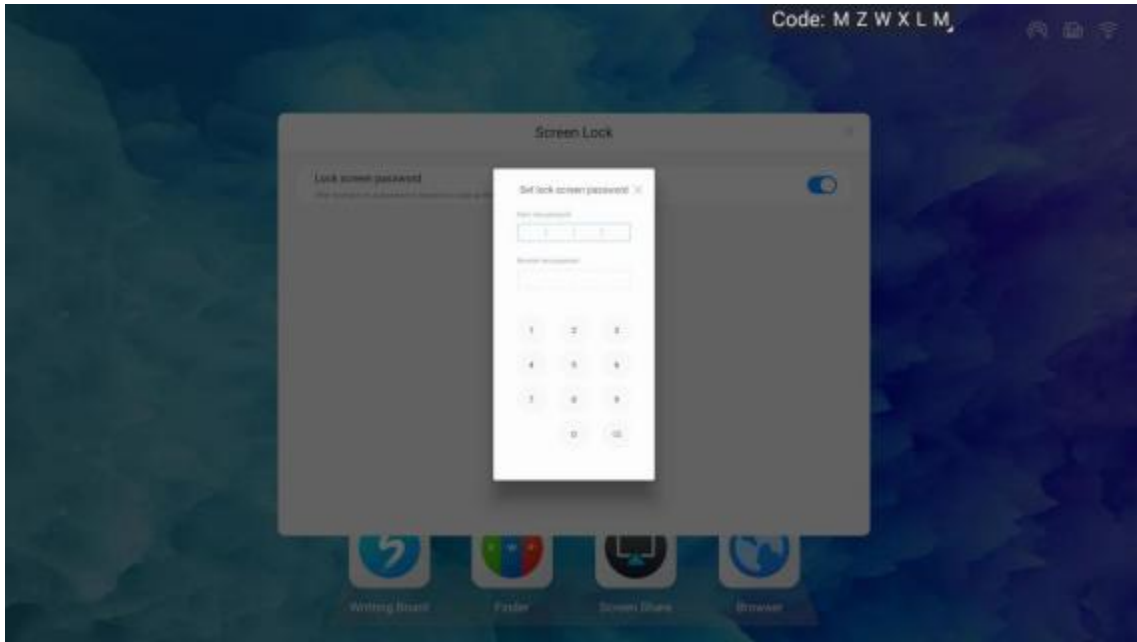
Screen Lock allows users to set up screen lock password to access the Android system.

- Click “Screen Lock” in “More Tools”, the Screen Lock window will pop up. When turn on “Lock screen password” it will request to set the password.(Click “X” will not set the password and exit from the window)



Notice

After setting a Screen Lock password, be sure to remember it.



⑧ Install Google Play

Google Play should be installed by users themselves. Go to "More Apps" and click "GetStore", it will starting download process. After downloading finished, click "Install" and it will finish install process and restart the system by itself.



Notice

Google Play is provided by GOOGLE LLC in the United States, the IFP manufacturer is not responsible for the upgrade and authorization.

FAQ

① Why is there often fog on the screen?

In order to ensure the safety of the screen, this product adds a layer of tempered glass on the outside of the screen, and in

order to ensure heat dissipation, there must be a certain gap between the two, which is used to reserve the air passage for air convection.

The main reason for the fog is the temperature difference of the screen and the outside. There is a temperature difference at the boundary temperature, and hot air condenses against the glass surface at a lower temperature, thus generating water mist.

Water mist does not affect normal use, generally, the fog will slowly evaporate and disappear after several hours of startup and use.

② Why do devices of different conference rooms have different startup times?

Under normal circumstances, external U disk, Internet poisoning, or hard disk space is occupied, or system disk is damaged, will appear the phenomenon of startup slowly.

Professional engineers will judge and guide you remotely to solve problems.

③ There is no sound on the external notebook computer equipment?

If it is VGA line connection, it is only image transmission and it needs to be connected with audio line again.

Similarly, it is

impossible to make sound only by connecting the audio cable. You need to connect the VGA line to identify the VGA channel or you can choose to connect the HDMI line.

④ There are limited touch pens. What kind of object can be used to replace the pen, without causing scratches on the screen? Fingers can be temporarily used instead of pen writing. Pens also can be purchased again if necessary.

⑤ Is it normal to feel that the screen is overheated after using it for a period of time? Will it have a bad influence?

The heating of the screen is a normal phenomenon, just like the TV set at home, which will not have adverse effects. So far, we are in the leading position on heat dissipation designs of the machine in the industry. We are one of the standard maker and

standards are conformed to international health standards.

⑥ Will long-term use be harmful to eyes?

The human eye's recognition of flickers is 50Hz. Below 50Hz, the human eye can detect it, and the eye muscles constantly adjust to adapt to the eye fatigue caused by flickering.

This product uses 60Hz and 120Hz liquid crystal display screens, so human eyes can't actually feel the flicker of the screen. Compared with other similar products, our product can relieve eye fatigue to a great extent.

EASY TROUBLE SHOOTING

① Automatic shutdown

- 1) Whether the sleep function is turned on, refer to the common computer check items for investigation.
- 2) Check the channel where the input source is located. No signal will lead to automatic shutdown.
- 3) Check the stability of the power supply.

② The indicator light is not on

- 1) Check whether the power supply is normal.
- 2) Check whether the power switch of IFP is on.

③ The indicator light is red and cannot be turned on

Please unplug all external connecting wires and restart after 15 minutes of power failure.

④ Abnormal color and lack of color in the image

If an external computer is used, check whether the VGA line is not connected properly or damaged.

⑤ The display screen is not full of the screen or out of range

- 1) Check whether the resolution is the best 16:9 resolutions.
- 2) If an external computer is used, adjust the AUTO switch when plugging and unplugging the VGA line.

⑥ The equipment has pictures but no sound

- 1) Please try to adjust the volume.
- 2) If the IFP uses an external computer, check whether the audio cable is connected correctly.

⑦ Inaccurate touch positioning

- 1) Check whether the touch pen or finger contacts the screen vertically at 90 degrees.
- 2) Check whether there are other items touching the screen, such as small notes and Sleeves.

⑧ Invalid touches function

If the IFP is connected to an external computer, check whether the cable between the computer and IFP is correctly connected.

MAINTENANCE

① Simple maintenance

Proper maintenance and maintenance can avoid some simple faults.

Regular and careful cleaning can keep the IFP in good appearance and running state.

Please unplug the power plug before cleaning and maintenance to prevent electric shock.

② Clean the screen

1 Please mix a little fabric softener or cleaner with warm water and stir evenly.

2 Please use a soft cloth to completely soak in this mixed solution;

3 Please wring dry the soft cloth and wipe the screen of IFP.

4 Repeat wiping (be careful not to enter the inside of the IFP when wiping the surface) to complete the cleaning step.

③ Cleaning frame

Please use dry, soft, non-fuzzing fabric or towel to wipe.

④ Long-term placement or non-use of equipment

When the IFP is placed or not used for a long time, please be sure to unplug and cut

off the power supply to prevent damage causing by external power supply fluctuation such as lightning.

SPECIAL AFFIRMATION

Intellectual Property Statement:

The hardware designs and software program of this product are protected by copyright. If this product and the contents of the instructions are copied without authorization we will retain the right to resort to legal claims.

The contents and pictures in this manual are for reference only and do not constitute any form into commitment. We reserve the right to improve and change the appearance design of products without prior notice.



Notice

The terms HDMI and HDMI High-Definition Multimedia Interface, and the HDMI Logo are trademarks or registered trademarks of HDMI Licensing LLC in the United States and other countries.

